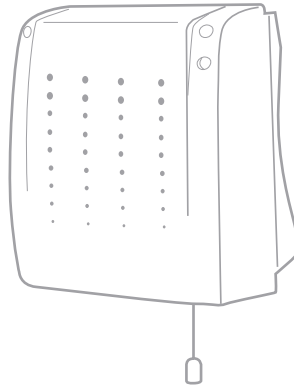




## INSTRUCTION MANUAL

### DXDF2 Downflow Air Circulator 2kW



## Introduction

Models covered by this instruction sheet:-

DXDF2, 220V-240V~50Hz IP23, 1000-2000W Downflow Air Circulator.



**IMPORTANT** Read these instructions fully before using the appliance.  
Retain these instructions for future reference.

**NOTE** The appliance may only be used in a fixed position and only for the purpose described. It is not for outdoor use!

## SAFETY INSTRUCTIONS

Please read these instructions before operating the appliance.

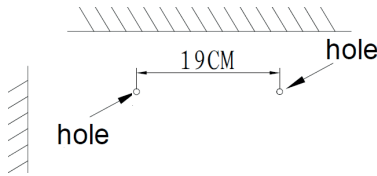
1. This product is a wall mounting appliance, never use it as portable appliance.
2. This appliance is designed for wall mounting and must be used with the warm air vent facing downwards. This appliance should not be used in any other orientation and should not be used as a free standing portable appliance.
3. This appliance is suitable for installation on surfaces with normal flammability e.g. wood, plasterboard, masonry. It is not suitable for use on highly flammable surfaces (e.g. polystyrene, textiles).
4. Before making fixing hole(s), check that there are no obstructions hidden beneath the mounting surface such as pipes or cables.
5. The chosen location of your new appliance should allow for the product to be securely mounted (e.g. to a firm wall) and safely connected to mains supply.
6. Ensure the power supply to the socket into which the appliance is plugged is in accordance with the rating label on the appliance and that the socket is earthed.
7. Keep the mains lead away from the hot body of the appliance.
8. Intended use for commercial purposes only.
9. Do not use outdoors.
10. Do not cover or obstruct any of the heat outlet grilles or the air intake openings of the appliance.

11. Do not place the appliance on carpet.
  12. Always ensure that the appliance is placed on a firm level surface. Ensure that the appliance is not positioned close to flammable materials as this could create a fire hazard.
  13. Do not position the appliance in front of, or immediately below, a wall socket.
  14. Do not insert any object through the heat outlet or air intake grilles of the appliance.
  15. Do not use the appliance in areas where flammable liquids are stored or where flammable fumes may be present.
  16. Always disconnect the appliance when moving it from one location to another.
  17. Do not use the appliance if the power cord is damaged. If the power cord is damaged it must be replaced by a recognised service agent or other qualified person.
  18. Only use a suitable 13amp switched fused spur.
  19. Intended for occasional use only. Do not use continuously for extended periods of time (3+ hours).
  20. This appliance is not intended for use by persons (including children) with reduced physical, sensory or mental capabilities, or lack of experience and knowledge, unless they have been given supervision or instruction concerning use of the appliance by a person responsible for their safety. Children should be supervised to ensure that they do not play with the appliance.
-

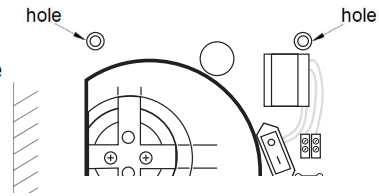
## Installation

1. Choose the location for your new appliance giving consideration to all of the points above.
2. Loosen the two screws at the top of the front of the appliance and lift off the front cover.
3. Using the guide diagram below, mark the position of the top two fixing holes.
4. Use a spirit level to check hole are level.
5. Drill the top two fixing hole using a no.8.5mm drill bit.
6. Insert the plastic plugs and screws leaving approximately 3mm of the screw protruding.
7. Hang the appliance on the screws. If the fixings supplied are not suitable for your mounting surface, select suitable alternatives.
8. Mark the position of the third and forth fixing hole using the appliance as a template.
9. Remove the appliance, drill the fixing hole and insert the rawl plugs.
10. Replace the appliance adjusting the top two screws to make as tight a fit as possible.
11. Secure using the third and forth fixings through the hole indicated below.
12. Remove the cable clamp from inside the appliance.
13. Thread the supply cable through the hole in the rear of the case.
14. Make connection to the supply terminals according to the colour cord. Ensure that there are no strands protruding from the terminals.
15. Secure the cable under the cable clamp. Ensure that the cable is gripped firmly but take care not to over-tighten the screws.
16. Select the desired mode of operation using the switch i.e. O=1 kw fixed heat.  
I= 2kW.
17. Turn the thermostat control clockwise to increase the temperature and anti-clockwise to decrease the temperature. If set to maximum temperature, the unit will remain at 2kW until switched off.
18. To set the stepdown feature when in 2kW mode, turn the thermostat dial fully anti-clockwise, then turn clockwise until you hear a click. The unit will heat at 2kW and stepdown to 1kW to maintain tempearure. Note: When the unit is switched off and cools, it will reset to 2kW mode when switched back on.
19. When installing in rooms of 12m<sup>2</sup> or less, it is advised to set the unit at the 1kW fixed heat setting.
20. Close the front cover and secure using the two screws.
21. Restore the power and switch on.

Fixing hole positions to hang unit

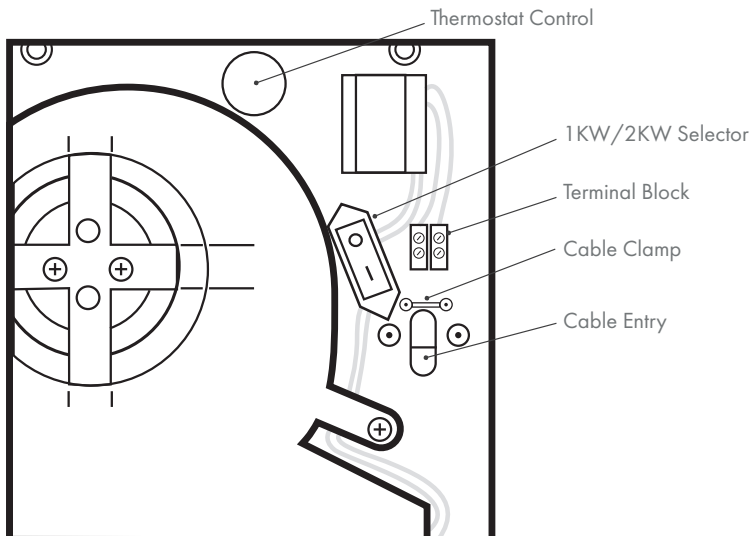


Additional third & fourth fixing holes



## Adjustment

1. Isolate the appliance from the power supply.
2. Remove the two screws on the front of the case and remove the front cover.
3. Select the desired mode of operation using the switch i.e.  $\bigcirc$  = 1 kW fixed heat.  
 $\text{I}$  = 2kW.
4. Turn the thermostat control clockwise to increase the temperature and anti-clockwise to decrease the temperature. If set to maximum temperature, the unit will remain at 2kW until switched off.
5. To set the stepdown feature when in 2kW mode, turn the thermostat dial fully anti-clockwise, then turn clockwise until you hear a click. The unit will heat at 2kW and stepdown to 1kW to maintain temperature. Note: When the unit is switched off and cools, it will reset to 2kW mode when switched back on.
6. When installing in rooms of 12m<sup>2</sup> or less, it is advised to set the unit at the 1kW fixed heat setting.
7. Close the front cover and secure using the two screws.



## Operation Of The Appliance

**NOTE** The appliance may emit some smell and fumes when it is first used or when turned on if it has not been used for a long period. This is normal and will disappear when the appliance has been on a short while.

## Cleaning The Appliance

1. Always isolate the appliance from the power supply and allow it to cool down before cleaning.
2. Clean the outside of the appliance by wiping with a damp cloth and buff with a dry cloth. Do not use any detergents or abrasives and do not allow any water to enter the appliance.

## Storing The Appliance

When the appliance is not used for long periods of time it should be protected from dust and stored in a clean dry place.

## Warranty

1. This product is guaranteed for a period of 12 months from the date of purchase against faulty components and manufacturing defects.
2. This warranty does not cover wear and tear, or misuse and abuse. Transportation, freight cost and labour costs are excluded.
3. Before taking any action in the event of a fault, contact our customer service team who will assist you. The products serial number and proof of purchase must be provided.

In the event of a faulty product, deXpro will replace faulty parts or at its sole discretion replace the product.

INFORMATION FOR CORRECT DISPOSAL OF THE PRODUCT IN ACCORDANCE WITH THE EUROPEAN DIRECTIVE 2002/96/E.



At the end of its working life this equipment must not be disposed of as household waste. It must be taken to a local authority waste collection centre or to a dealer providing this service. Disposing of electrical and electronic equipment separately enables its components to be recovered and recycled to obtain significant savings in energy and resources. In order to underline the duty to dispose of this equipment separately, the product is marked with a crossed out dustbin.

Tel: 01244 631370 | Email: [sales@dexprouk.com](mailto:sales@dexprouk.com)