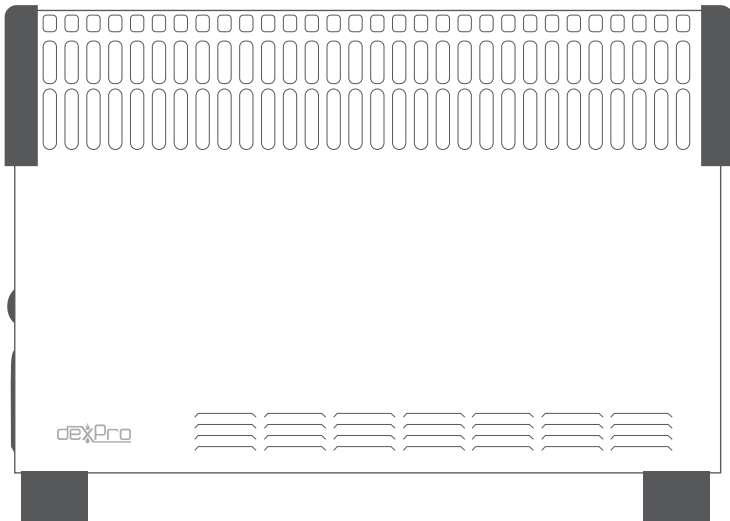




INSTRUCTION MANUAL

Delux 2kW Convector Heater Standard & Timer Models



Introduction

Models covered by this instruction sheet:-
DXCH2 & DXCH2T Delux 2kW Convector Heaters



IMPORTANT Read these instructions fully before using the appliance.
Retain these instructions for future reference.

NOTE The appliance may only be used in a fixed position and only for the purpose described. It is not for outdoor use!

The rating of this product (as marked on the product identification plate) is based on specific loading tests. Normal use or the use of other recommended attachments may draw significantly less power.

DO NOT use this product in areas where the following may be present or occur

- Excess oil or grease-laden atmosphere.
- Excessive dust is generated or present.
- Corrosive or flammable gases, liquids or vapours.

This heater **MUST NOT** be used in a bathroom, shower or swimming pool areas.

SAFETY INSTRUCTIONS

Please read these instructions before operating the appliance.

- Use only the voltage specified on the rating plate of the heater.
- Do not cover or restrict airflow to the inlet or exhaust grilles in any manner as the appliance may overheat and become a fire risk.
- Do not cover grilles, block entry or exhaust of airflow by placing appliance against any surface. Keep all objects at least 1 metre from the appliance.
- Do not place the appliance close to a radiant heat source.
- Do not operate in areas where gasoline, paint or other flammable liquids are used or stored.
- This appliance heats up when in use. To avoid burns, do not let bare skin touch any hot surfaces. Switch off and leave to cool before moving.
- Do not use the appliance to dry clothes.
- Do not insert or allow foreign object or metal utensils to enter any ventilation or exhaust opening. This may cause an electric shock, fire or damage to the appliance.
- Do not immerse in liquid or allow liquid to run into the interior of the appliance, as this could create an electrical shock hazard.
- Do not reach for an appliance that has fallen into water. Switch off at the power supply and unplug immediately.

- Do not operate any appliance with a damaged cord, plug or after the appliance malfunctions or has been dropped or damaged in any manner.
- Return to a qualified electrical professional for examination, electrical or mechanical adjustment, service or repair.
- Do not operate appliance with wet hands.
- The most common cause of overheating is deposits of dust or fluff in the appliance. Ensure these deposits are removed regularly by isolating power to the appliance and vacuum cleaning air vents and grilles.
- Do not use this appliance in a window as rain may cause electric shock.
- Do not use abrasive cleaning products on this appliance. Clean with a damp cloth (not wet) rinsed in hot soapy water only. Switch off at the power supply before cleaning.
- Do not connect the appliance to the mains voltage until completely assembled and adjusted.
- This appliance is not intended for use in outdoor locations.
- Do not use this appliance in the immediate surrounds of a bath, shower or swimming pool.
- Always operate upright.
- Do not operate with cord set coiled up as a build up of heat is likely.
- The use of an extension cord with this appliance is not recommended.
- Do not remove plug from power socket until the appliance has been switched off.
- Do not remove plug from power socket by pulling the supply cord - always grip the plug.
- Do not allow cord to come in contact with heated surface during operation.
- Do not run cord under carpeting, throw rugs or runners etc. Arrange cord away from traffic areas so that it will not be tripped over.
- Do not twist, kink or wrap the cord around the appliance, as this may cause the insulation to weaken and split. Always ensure that all cord has been removed from any cord storage area.
- Do not store appliance while it is still hot.
- This appliance is not intended for use by persons (including children) with reduced physical, sensory or mental capabilities, or lack of experience and knowledge, unless they have been given supervision or instruction concerning use of the appliance by a person responsible for their safety. Children should be supervised to ensure that they do not play with the appliance.
- The appliance must not be located immediately below a socket outlet.
- Do not use this appliance with another programmer, timer or any other device that switches the heater on automatically.
- All covers for this appliance are intended to prevent direct access to the heating elements and must be in place when the appliance is in use.
- **WARNING:** In order to avoid overloading and discolouration, do not cover the heater.

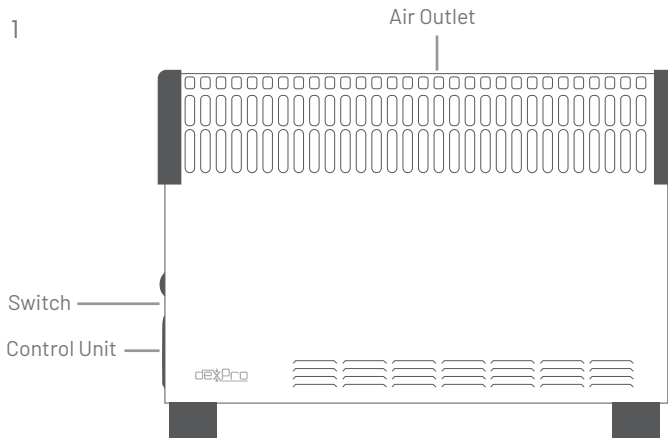
- To reduce the risk of electric shock, do not immerse or expose the product or flexible cord to rain, moisture or any liquid other than those necessary for correct operation of the product.
- Electrical installation must be carried out by a qualified professional in accordance with the latest edition of the IEE wiring regulations.
- If the supply cord is damaged, it must be replaced by a qualified professional in order to avoid a hazard.
- Use this appliance only as described in this manual. Any other use is not recommended by the manufacturer and may cause fire, electric shock or injury.
- Discolouration of unit indicates excess dust build up and/or unit being covered by damp materials. We highly recommend the appliance is cleaned on a regular basis. Discolouration is not covered by the warranty.

Specification

Model Number	DXCH2
Rated Power	2kW
Rated Voltage	220-240V~ 50Hz
Dimensions (mm)	595 x 93 x 400mm

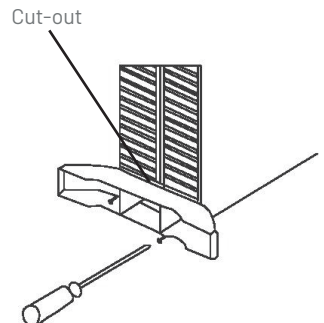
Drawing

Fig. 1



Assembly

Before using the heater, the feet (supplied) must be fitted to the unit. These must be attached to the base of the heater using the self tapping screws provided. Take care to ensure the feet are located correctly at the bottom ends of the heater with the cut-out in the centre of each foot facing the centre of the heater.



OPERATION

The heater is ready for use after inserting the plug into a socket outlet.

Select the required heating capacity using the two selector switches on the side of the heater.

The capacity selected will be indicated by a red neon light on the switch.

THERMOSTAT OPERATION

To set the thermostat to the required temperature, turn the thermostat control to high.

When the desired temperature is reached, slowly turn the thermostat control down until the heater hurns off. The thermostat is now set to the required temperature.

SAFETY FEATURE

The heater has a built-in thermal cutout switch. Should the switch trip-out, the heater must be switched off for approximately 10 minutes, to allow the unit to cool down.

After 10 minutes, switch the unit on, if the cutout switch trips out again, switch the unit off and contact an electrically qualified / competant person to inspect the heater.

TIMER OPERATION (DXCH2T Only)

Setting the time on the timer, Example:- If the timer is 10 o' clock in the morning rotate the dial until 10 is lined up with the black arrow pointer.

The red adjuster can be set as follows:

- | | |
|-----|--|
| "0" | The heater is off |
| ⊖ | The heater is controlled by the timer |
| "I" | The heater can be switched on using the thermostat and heater switches |



- To set the timer on the heater you must pull the blue segments around the outer ring forward to select the required running time(s) each blue segment represents 15 minutes.
- When set, the heater will operate each day during the times programmed. Note, the heater must always be plugged into a power socket, the element switches must be in the on position and the thermostat must be suitably set to ensure the heater will come on.
- If the heater is required to run continuously the red adjuster must be set to the "I" position.



When using the heater in timer mode, due consideration should be given to the fact that the heater may come on whilst unattended.

WARRANTY

1. This product is guaranteed for a period of 1 year from the date of purchase against faulty components and manufacturing defects.
2. This warranty does not cover wear and tear, or misuse and abuse. Transportation, freight cost and labour costs are excluded.
3. Before taking any action in the event of a fault, contact our customer service team who will assist you. The products serial number and proof of purchase must be provided.

In the event of a faulty product, deXpro will replace faulty parts or at its sole discretion replace the product.

INFORMATION FOR CORRECT DISPOSAL OF THE PRODUCT IN ACCORDANCE WITH THE EUROPEAN DIRECTIVE 2002/96/E.



At the end of its working life this equipment must not be disposed of as household waste. It must be taken to a local authority waste collection centre or to a dealer providing this service. Disposing of electrical and electronic equipment separately enables its components to be recovered and recycled to obtain significant savings in energy and resources. In order to underline the duty to dispose of this equipment separately, the product is marked with a crossed out dustbin.

